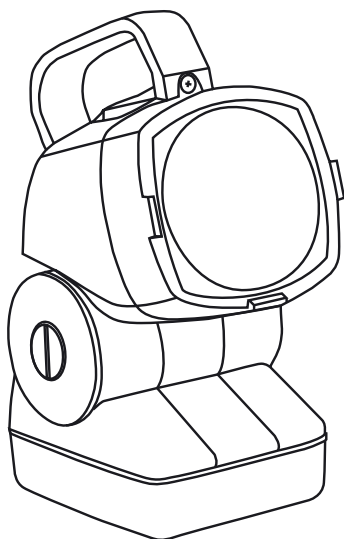


Instruction manual



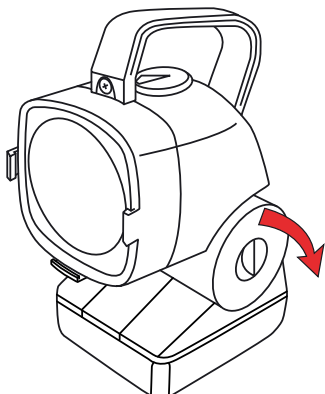
1. Functionality

Due to its perfected design, the **SAFETYLUX®** portable is a robust, easy to handle product and therefore a valuable addition to your safety equipment.

The **SAFETYLUX®** portable has many applications, for instance as an on-site spotlight, automatic emergency light in case of a power failure, cellar and service room lighting or also as a hazard warning in cases of emergency.

4. Charging

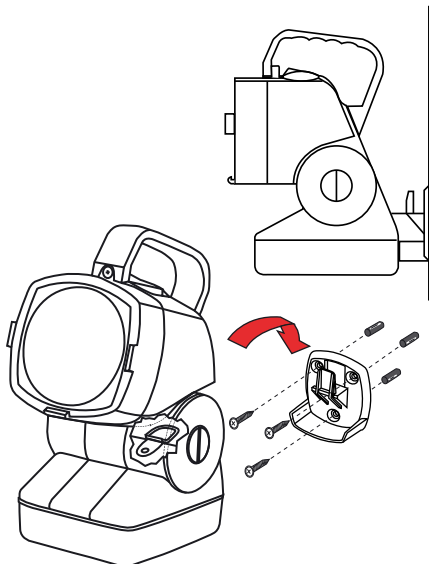
The accumulators may be discharged because of prolonged storage. Before taking into operation, continuously charge the battery for 36 hours minimum. Uninterrupted permanent charging is possible. For this purpose open the side flap in the bottom part (bayonet catch), take out the mains cable in the rear of the lamp head. Then plug the mains plug into a socket. The battery is charged automatically, because the charging electronics are integrated in the housing. The mains voltage is indicated by a free LED in the reflector.



2. Assembly

For stationary use in warm rooms, e.g. heating rooms, make sure that the AMBIENT TEMPERATURE does not exceed +30°C. Permanent high temperatures reduce the service life and the capacity of the battery.

For stationary use, a practical wall fixture is included in the delivery, which can be easily mounted with the enclosed plugs and screws. the portable searchlight is hung on the wall fixture with the metal bracket.



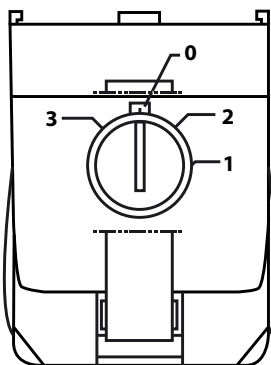
For an optimum adjustment of the light beam, the lamp head can be vertically raised by about 120°.

To permit stationary use on sloping terrain, the lamp has a draw-out supporting bottom bracket. This can be drawn out to the rear if required.

5. Functions

After having separated the portable searchlight from the mains, the following functions are possible:

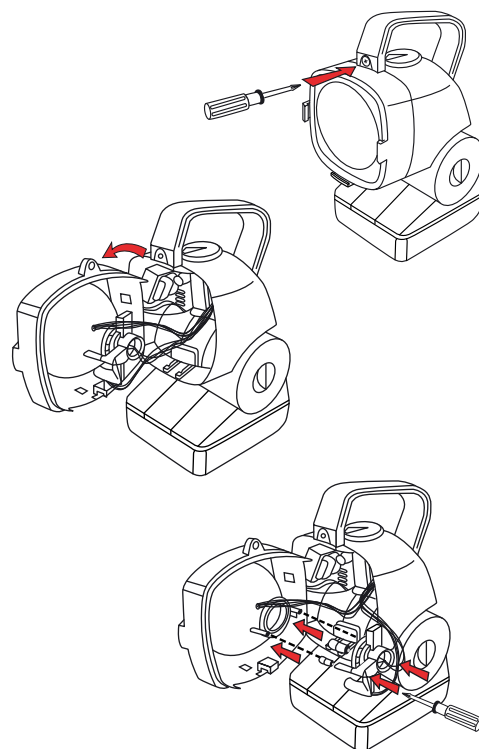
Switch position	0	OFF
Switch position	1	Secondary bulb lit
Switch position	2	Main bulb lit
Switch position	3	Main bulb flashes



If switch positions **1** or **2** are maintained also when connected to the mains voltage, in case of a power failure the secondary or main bulb will automatically light up and this provide an emergency lighting.

3. Changing a bulb

When changing the bulbs, the switch must be in OFF-position. Remove the screw on the lamp head, swing down the front part with the glass insert and the reflector. Unscrew the lampholder and remove. Change the filament or halogen lamp. Then reassemble in reverse order.



6. Technical data

- Power supply: 230V~ +6%/-10%
- Range: e.g. 100 m
- Main filament lamp: 4V/4W/E10 Halogenlight
- Secondary filament lamp: 4.8V/1.5W/BA9-S Incandescent lamp
- Lighting hours:
 - Main filament lamp: e.g. 3.5 h
 - Secondary filament lamp: e.g. 12.0 h
 - Flashing light main lamp: e.g. 7.0 h
- Battery: NiCd 4.8V/4 Ah
- Dimensions: L 164 x W 126 x H 248 mm
- Housing: UV- and shock-resistant
- Ambient temperature: -5°C to +30°C
- Safety prision/-class: IP44/II
- Automatic emergency light function when mains-operated
- Flashlight function when manually operated
- Low voltage disconnect
- Integrated charging unit, mains cable, cable compartment
- Wall bracket (same color as light)

7. Type / Part.-Nr. / Accessory

Type	Part.-Nr.
SAFETYLUX® portable, red	93101
SAFETYLUX® portable, grey	93100

Accessory (optional):

- Assorted filters red, grey, yellow: 93103
- Wall bracket, chromed: 93102